

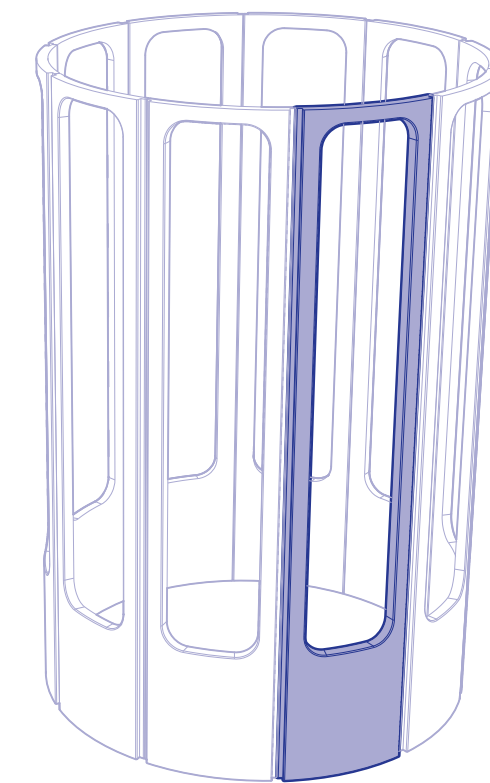


2301.22

TURBOLIFT CASING PANEL - PERSPECTIVE — Recreation Deck Turbolift Shafts

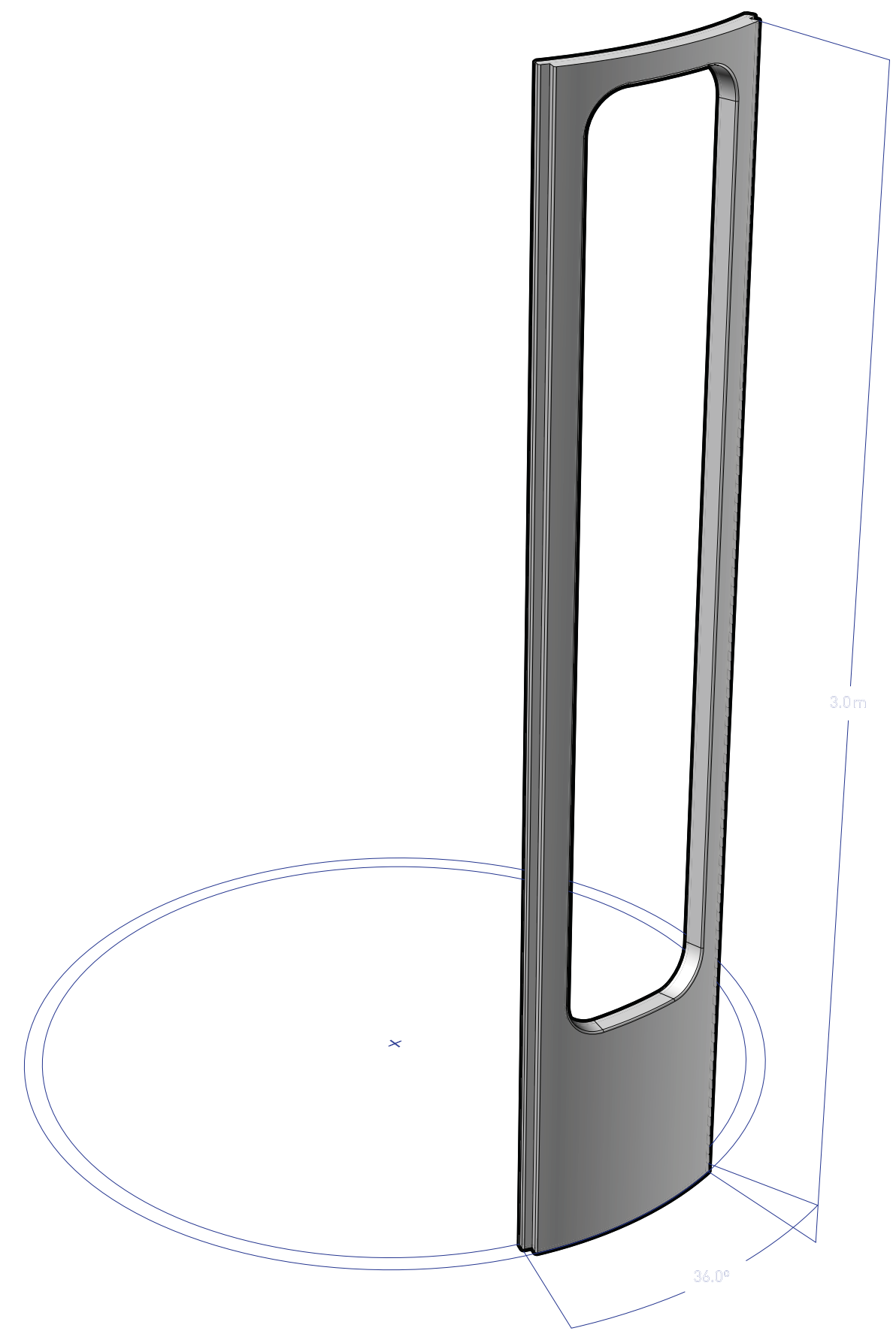
1.0

DD 3965-001-000-2141

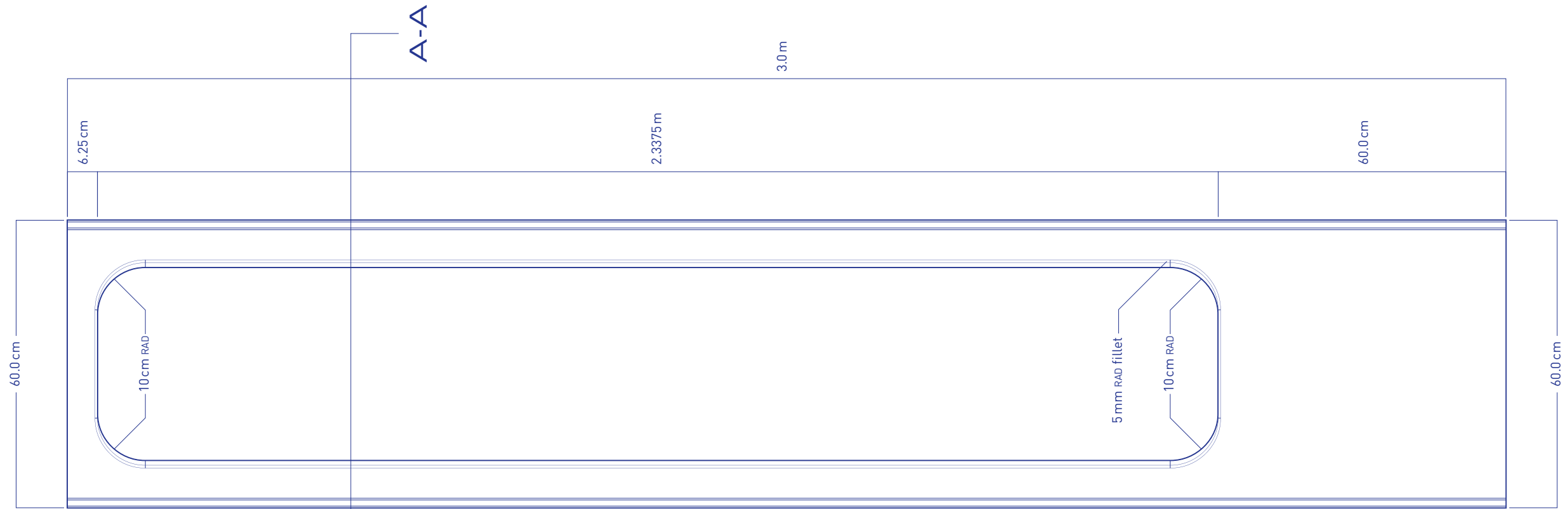


Casing Assembly

3D Perspective




DES	H. Michelson	<i>H. Michelson</i>	7804.15	LD-02
SYS	L. DeScenna	<i>L. DeScenna</i>	7910.16	CE-03
MEC	M. Gore	<i>M. Gore</i>	2301.22	ME-02
NAME		APPROVAL	DATE	ROLE
TITLE				
TURBOLIFT CASING PANEL - PERSPECTIVE				
Recreation Deck Turbolift Shafts				
DD	3965-001-000-2141	REV	1.0	
CODE	DATE 2301.22	UNITS cm	SCALE 1:10	SH 1 of 3



Front

SEE VIEW **A-A**
DB/SH3

DES	H. Michelson	<i>H. Michelson</i>	7804.15	LD-02
SYS	L. DeScenna	<i>L. DeScenna</i>	7910.16	CE-03
MEC	M. Gore	<i>M. Gore</i>	2301.22	ME-02
NAME		APPROVAL	DATE	ROLE
TITLE				
TURBOLIFT CASING PANEL - FRONT				
Recreation Deck Turbolift Shafts				
DD	3965-001-000-2141	REV	1.0	
CODE	DATE 2301.22	UNITS cm	SCALE 1:10	SH 2 of 3



2301.22

TURBOLIFT CASING PANEL - FRONT — Recreation Deck Turbolift Shafts

1.0

DD 3965-001-000-2141



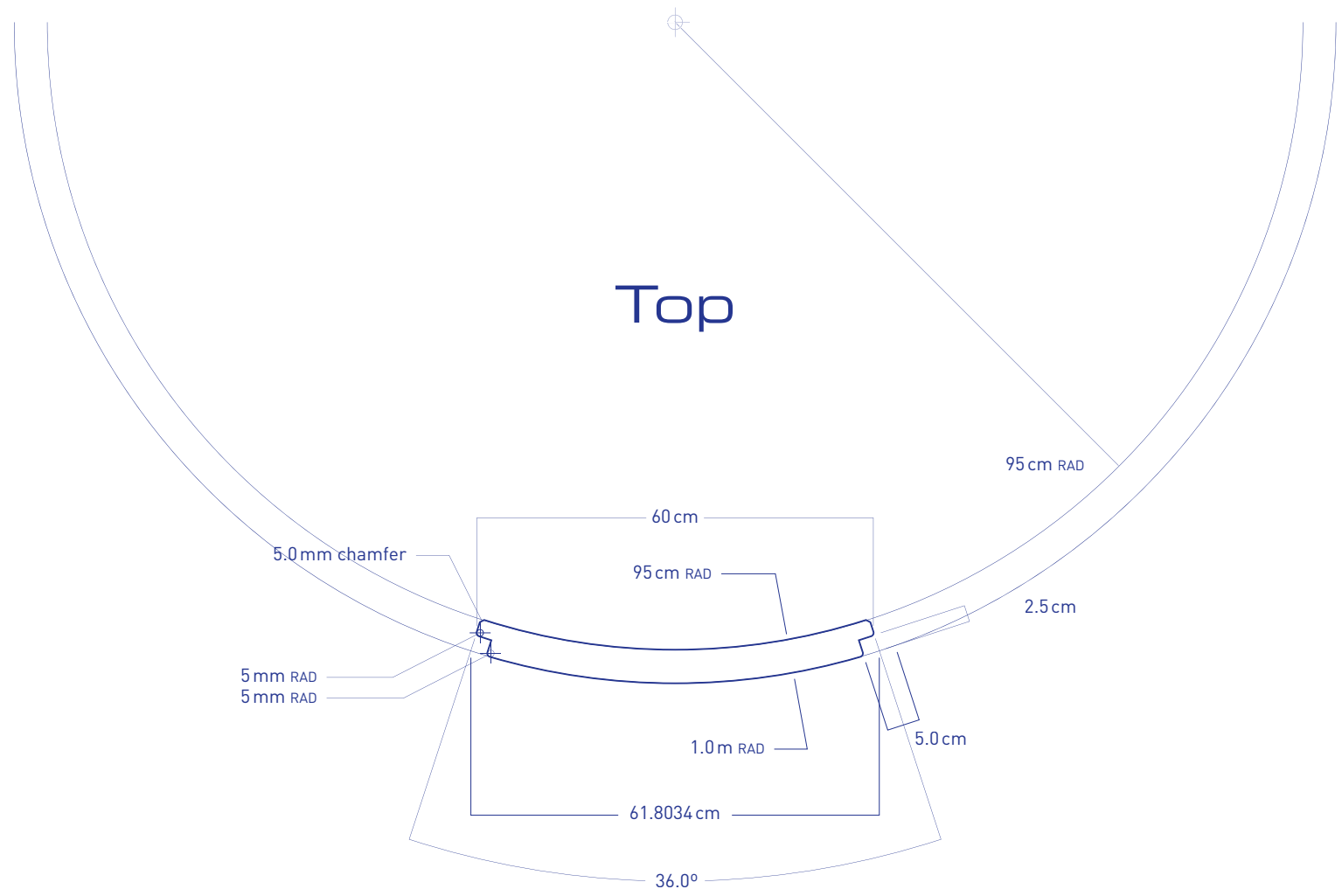


2301.22

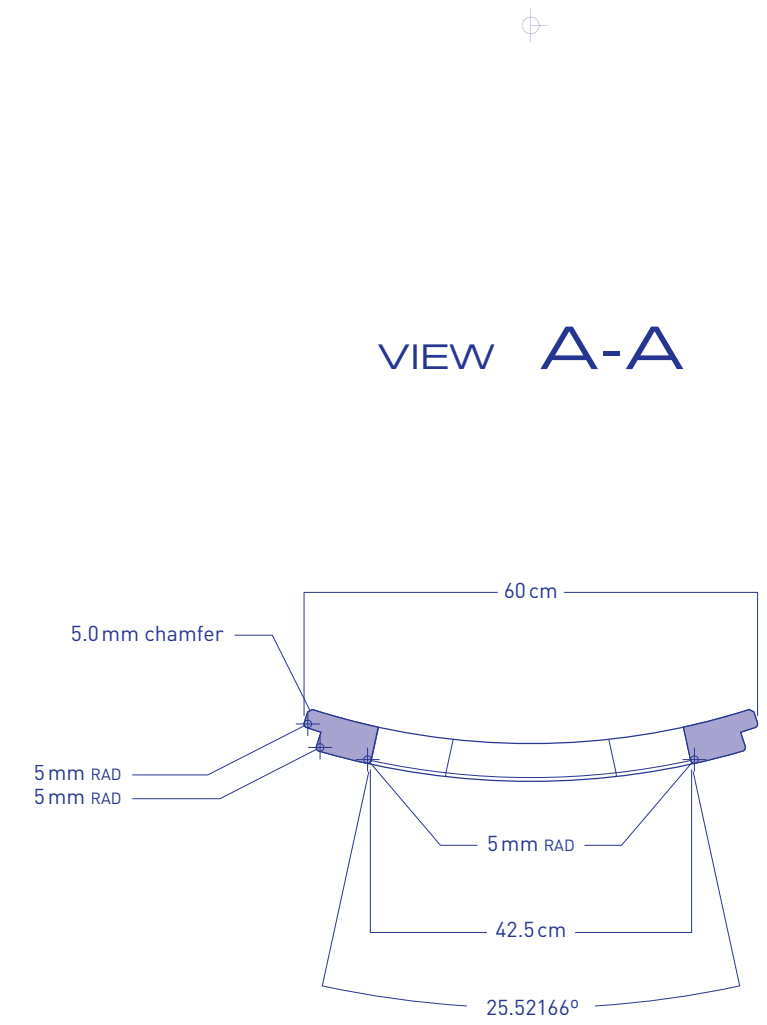
TURBOLIFT CASING PANEL - TOP — Recreation Deck Turbolift Shafts

1.0

DD 3965-001-000-2141



Top



VIEW A-A

DES	H. Michelson	<i>H. Michelson</i>	7804.15	LD-02
SYS	L. DeScenna	<i>L. DeScenna</i>	7910.16	CE-03
MEC	M. Gore	<i>M. Gore</i>	2301.22	ME-02
NAME	APPROVAL	DATE	ROLE	
TITLE				
TURBOLIFT CASING PANEL - TOP				
Recreation Deck Turbolift Shafts				
DD	3965-001-000-2141	REV	1.0	
CODE	DATE 2301.22	UNITS cm	SCALE 1:10	SH 3 of 3